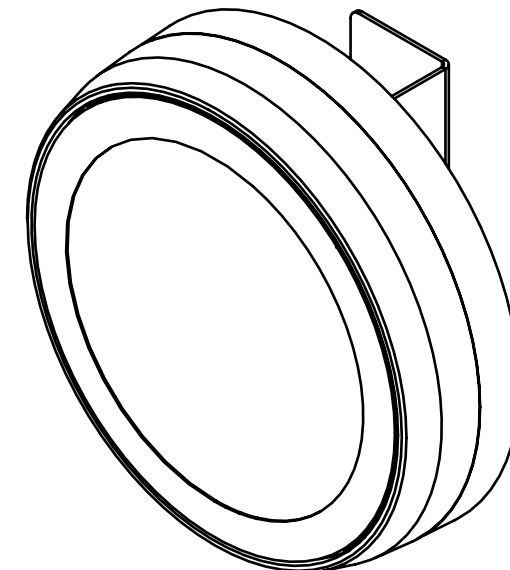
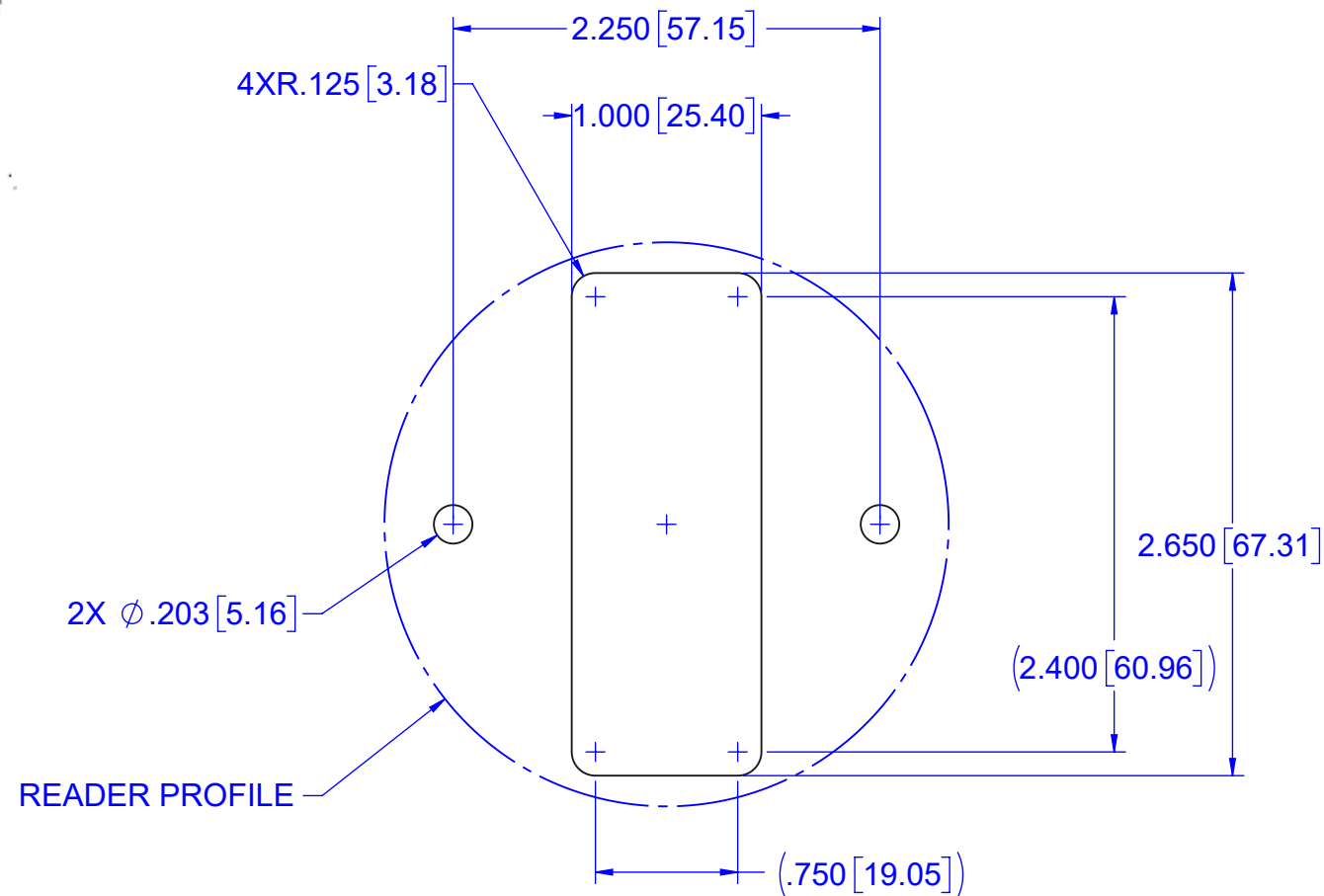


2023-08-25



**WARNING**

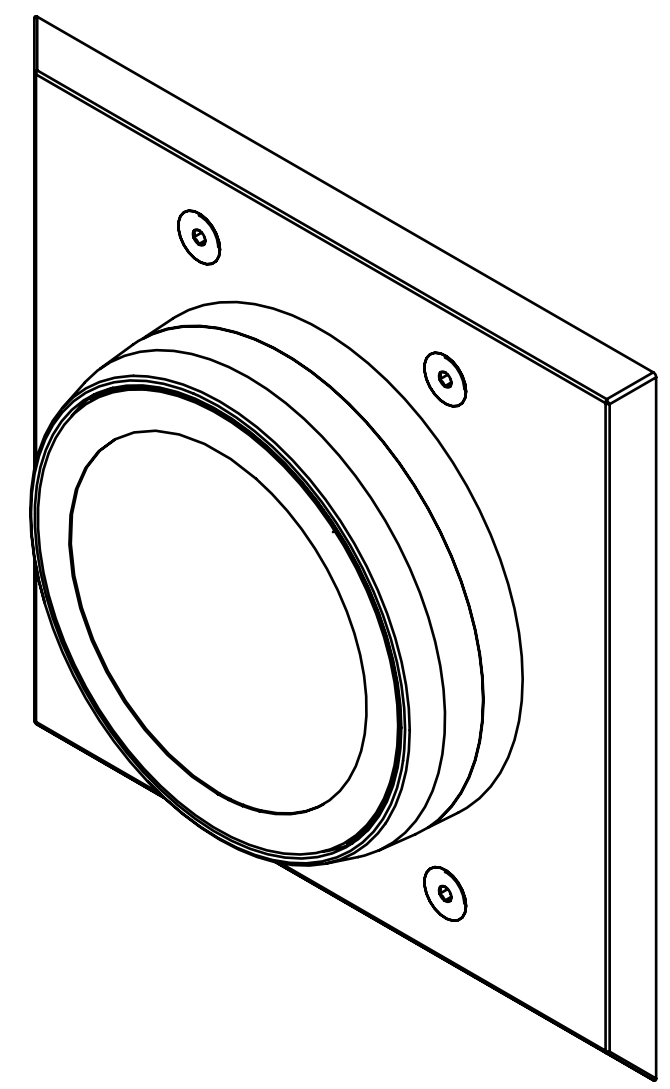
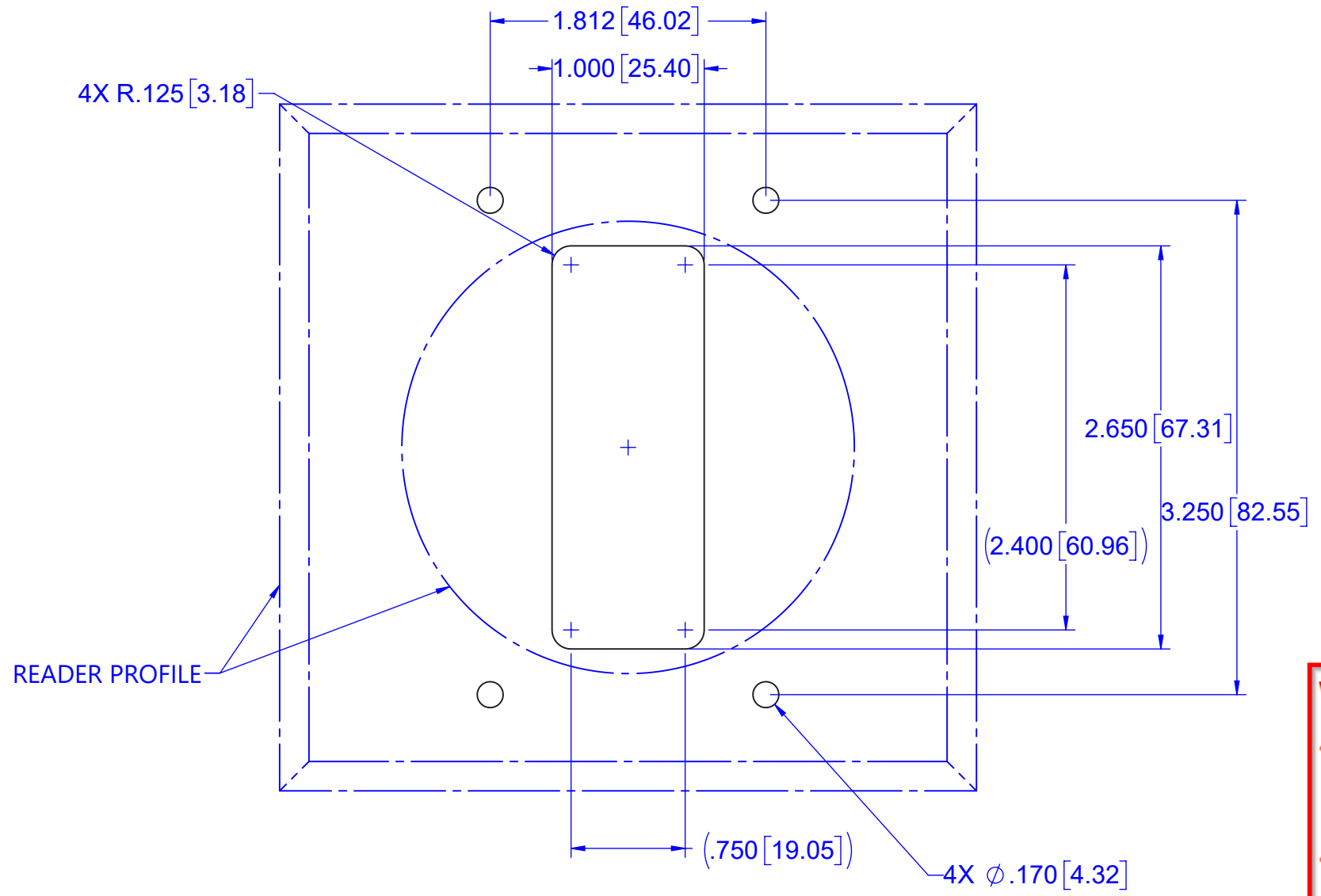
- Always validate that you have selected the correct template for specific lock model being installed. [The same lock model can be offered with different locking device options.]
- Always validate after printing to confirm the dimensions listed on the drawing have printed on a 1:1 scale.
- If you have any questions, please contact your local sales representative or authorized reseller.

DO NOT REPRODUCE  
CONTACT CUSTOMER SUPPORT  
1-800-906-4526

**RAC 5 ROUND READER  
ELEVATOR PANEL PREP**

DRAWN BY / DESSINÉ PAR: K.PRANJIC APPROVED BY / APPROUVÉ PAR: C.DOUCET www.dormakaba.com	YYYY-MM-DD: 2023-08-07 YYYY-MM-DD: 2023-08-07 TITLE / TITRE: DRILLING TEMPLATE RAC5 ROUND READER	dormakaba Canada Inc. 7301, boul. Décarie Montréal, QC, Canada, H4P 2G7
UNE VERSION FRANCAISE DE CE DOCUMENT EST DISPONIBLE SUR DEMANDE.	DWG NO / NO. DESSIN: <b>DT-515142-4</b> ECN NO / NCI NO.: CN04483	SHEET / FEUILLE: 1 / 2 REVISION: 1

2023-08-25 11:28:30 AM




**WARNING**

- Always validate that you have selected the correct template for specific lock model being installed. [The same lock model can be offered with different locking device options.]
- Always validate after printing to confirm the dimensions listed on the drawing have printed on a 1:1 scale.
- If you have any questions, please contact your local sales representative or authorized reseller.

DO NOT REPRODUCE  
CONTACT CUSTOMER SUPPORT  
1-800-906-4526

RAC5 ROUND READER W/ DOUBLE GANG PLATE ELEVATOR PANEL PREP

DRAWN BY / DESSINE PAR: K.PRANJIC	YYYY-MM-DD 2023-08-07		dormakaba Canada Inc. 7301, boul. Décarie Montréal, QC, Canada, H4P 2G7
APPROVED BY / APPROUVÉ PAR: C.DOUCET	YYYY-MM-DD 2023-08-07		TITLE / TITRE <b>DRILLING TEMPLATE RAC5 ROUND READER</b>
www.dormakaba.com			
UNE VERSION FRANCAISE DE CE DOCUMENT EST DISPONIBLE SUR DEMANDE.		DWG NO / NO. DESSIN <b>DT-515142-4</b>	SHEET / FEUILLE 2 / 2
		ECN NO / NCI NO. CN04483	REVISION <b>1</b>

2023-08-25 11:28:37 AM